

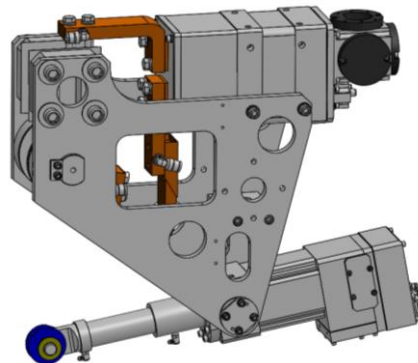
Light Weight Servo Gun – X Type

■ Features

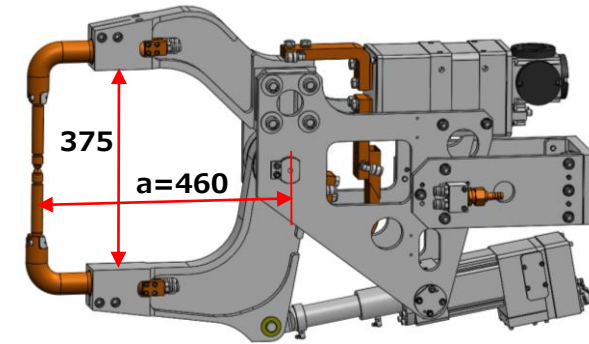
- Standard Body.
- Easy maintenance – less than 15min for each component replacement
- 3 standard brackets for rear , top/bottom, 45°top/45°bottom
- Symmetrical gun without L/R sides, reduced interference area

Max. Gun Force	600 daN (window size 600x600mm)
Gun Cooling Circuit	1-2-1
Transformer Mass	18,5 Kg
Transformer Capacity	90 KVA (at 50% Duty Cycle)
Transformer Max. Short Circuit Current	25,000 A
Transformer Rated Power / Frequency	500 V / 1000 Hz
Transformer Secondary Voltage	10 V
Transformer cooling requirement	4 l/min
Motor Max. Force	1600 daN
Motor Max. Speed	375 mm/s
Motor Rated Rotating Speed	3000 rpm
Motor Max. Stroke	160 mm
Motor Lead	5 mm per round
Motor Mass	13 Kg

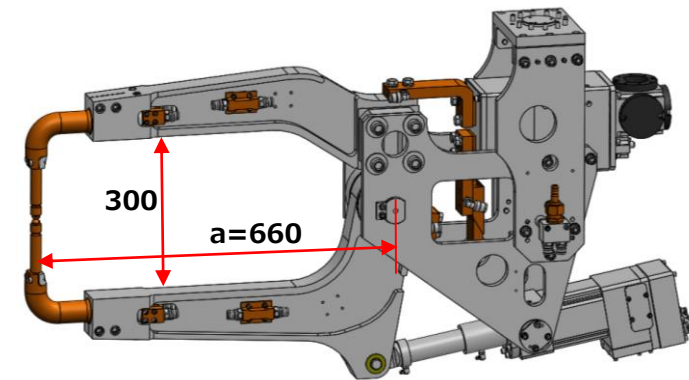
a	Max stroke
460	155
560	190
660	225
760	260
860	295



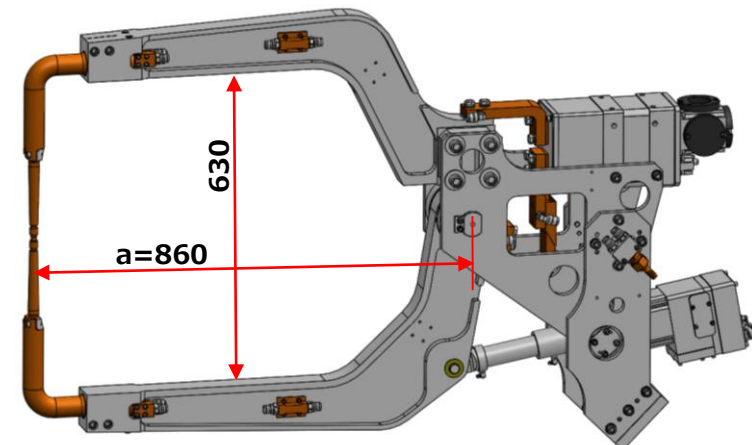
Body Mass : 58Kg



Mass : 90Kg Force : 600daN



Mass : 94Kg Force : 600daN



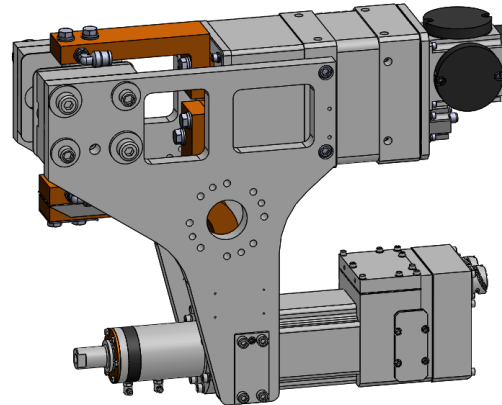
Mass : 101Kg Force : 450daN

Light Weight Servo Gun – C Type

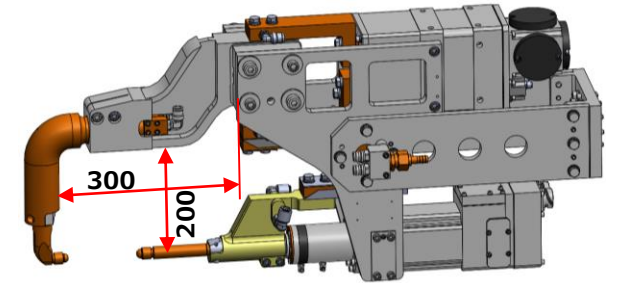
■ Features

- Standard Body.
- Easy maintenance – less than 15min for each component replacement
- 3 standard brackets for rear , top/bottom, 45°top/45°bottom
- Symmetrical gun without L/R sides, reduced interference area

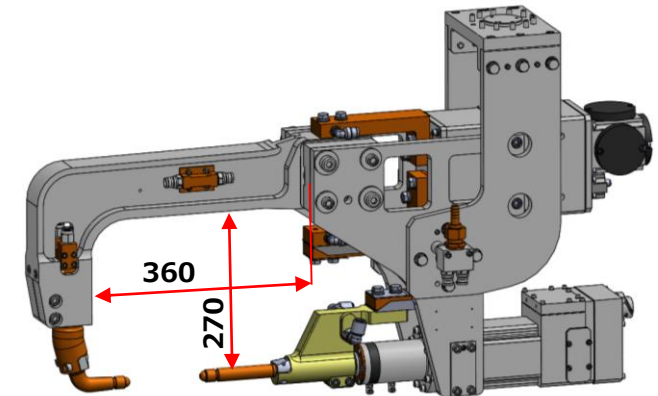
Max. Gun Force	600 daN (window size 500x500mm)
Gun Cooling Circuit	1-2-1
Transformer Mass	18,5 Kg
Transformer Capacity	90 KVA (at 50% Duty Cycle)
Transformer Max. Short Circuit Current	25,000 A
Transformer Rated Power / Frequency	500 V / 1000 Hz
Transformer Secondary Voltage	10 V
Transformer cooling requirement	4 l/min
Motor Max. Force	600 daN
Motor Max. Speed	750 mm/s
Motor Rated Rotating Speed	3000 rpm
Motor Max. Stroke	210 mm
Motor Lead	10 mm per round
Motor Mass	15 Kg



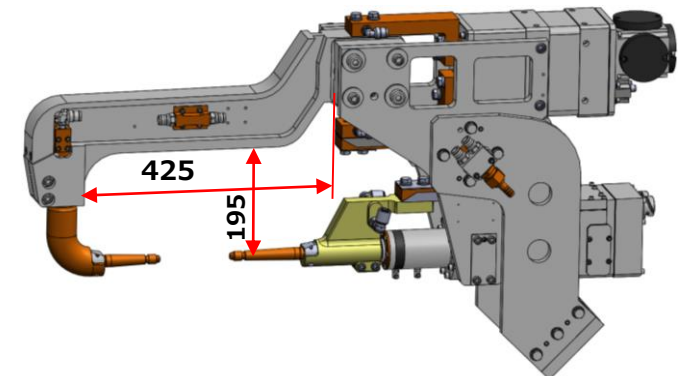
Body Mass : 56Kg



Mass : 83Kg Force : 600daN



Mass : 82Kg Force : 600daN



Mass : 84Kg Force : 600daN